



Retro Fitting Lockwood Joinery

When retro-fitting double-glazed units to replace existing single glazed frames in Lockwood homes, we recommend replacing the aluminium frame with a new double-glazed insert.

Leaving the existing timber subframe, flashings and wedges ensures the integral parts of the Lockwood wall system remain in place. The home will retain the Lockwood structural elements and the Lockwood compliance method for external moisture and relative clauses of the building code.

Steps

1. The timber sub-frame that is fixed to the wallboards with Lockwood aluminium profiles is left intact. By leaving the frame fixed in place the structural integrity of the wall is preserved.
 - a. Remove aluminium sashes and fixed glass to expose the screws that fix the aluminium frame to subframe
 - b. Remove screws, remove frame
2. Check square of existing frames to make allowance for good fit of new aluminium double glazed insert to fit snugly against the timber subframe.
3. The internal dimensions of the timber sub-frame will dictate the size of the new double-glazed insert and liner size length. Allow minimal gap between new frame and existing subframe for hassle free square install, say 3mm to each end. Allow liner to extend 20mm past internal face of subframe.
4. Carefully remove the Lockwood profile (W profile). A replacement W repair will be required to be fitted later.
 - a. Fit new insert frame to the existing timber subframe, fit from outside, be careful to install under and up into the existing head flashing (apply MSHP sealant between aluminium frame and timber subframe)
 - b. Square up new frame, fix in place
 - c. Fit new *Back flashing (may require purpose made flashing)
 - d. Fit replacement *W profile (screw fix) and PVC wedges
 - e. Fix architrave around new frame
5. Fit new *sill flashing if required.
6. The head flashing should be capable of being retained or make modification to for a good compliant fit

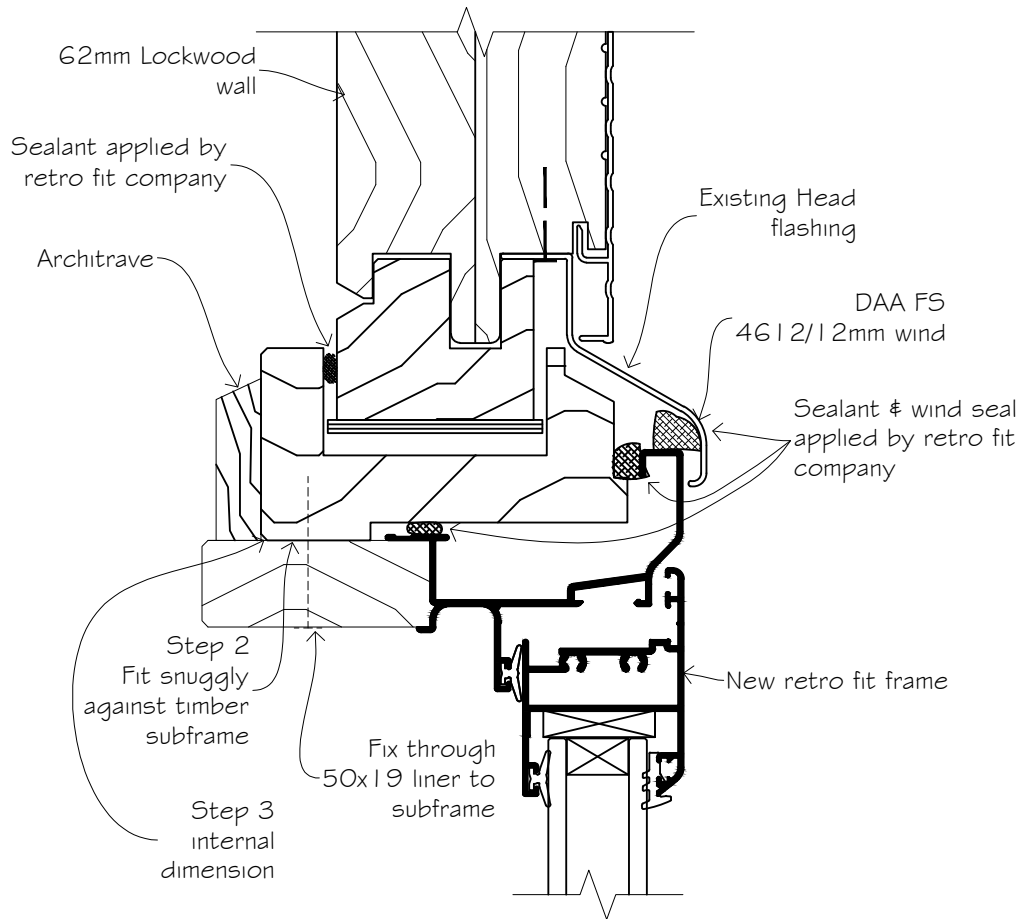
* Indicates Lockwood specific components available from your local Lockwood agent. Failure to fit these components will compromise the Lockwood joinery system.

Other considerations:

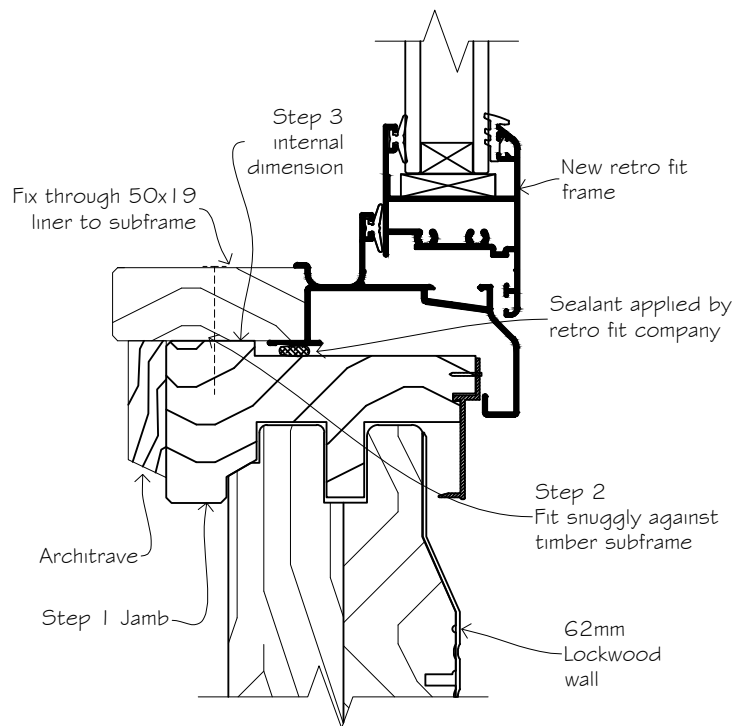
- Internal Acrylic Secondary Glazing Panels (google for further information)
- Liquid coating (google for further information)
- Installing ventilation system
- Replace single glass with double glass into existing aluminium frame with new external bead.
- Warranty from installer

PATENTS AND COPYRIGHTS RESERVED

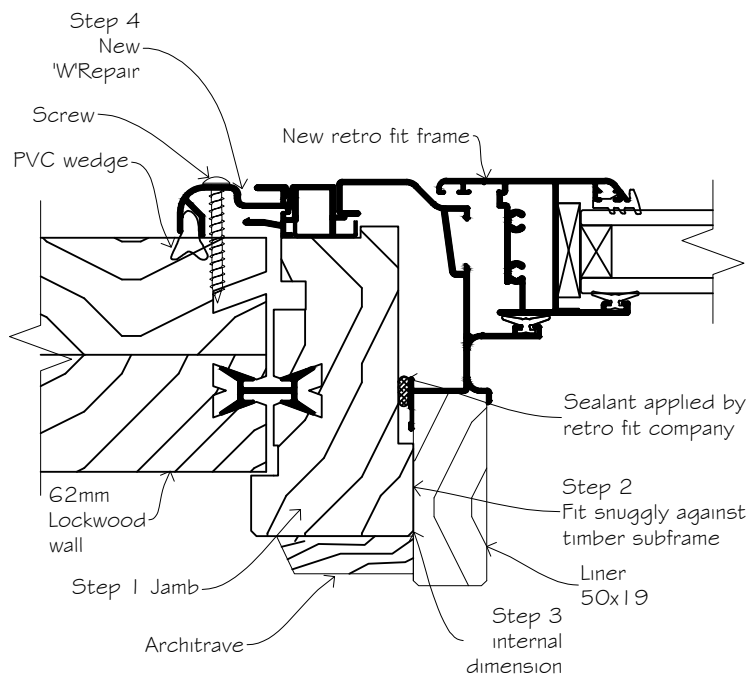
*Extra to standard components supplied by Lockwood.



Head



Sill



Jamb